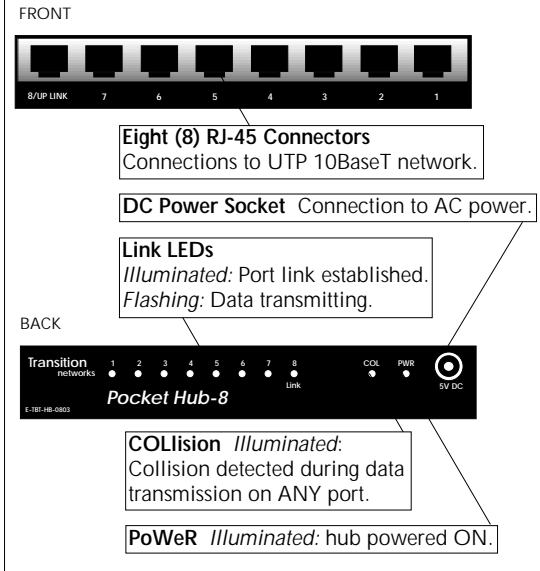


Connectors and Indicators



Specifications

Standards	IEEE 802.3 10BaseT	
Case dimensions	120mm x 95mm x 21mm	
Port Interface	Eight (8) RJ-45 Connectors	
LED Indicators	POWER, COLLISION, (Link)	
Cable	Unshielded Twisted Pair (UTP)	
Maximum Cable Length	100 meters (330 feet)	
Power Supply Adapter:		
AC Input		
<i>P/N</i>	<i>Requirement</i>	<i>Location</i>
3539	120V, 60Hz, 45mA	North America
3540	230V, 50Hz, 45mA	Europe
DC Output		
	6V @500mA maximum	
Environment	Temperature: 0-50°C (32° to 122° F)	
	Humidity 10-90% non condensing	
	Altitude 0-10,000 feet	
Warranty	5 years	
	33033.A	



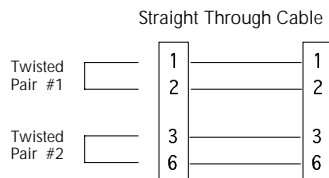
E-TBT-HB-0803.A

Pocket Hub™ - 8

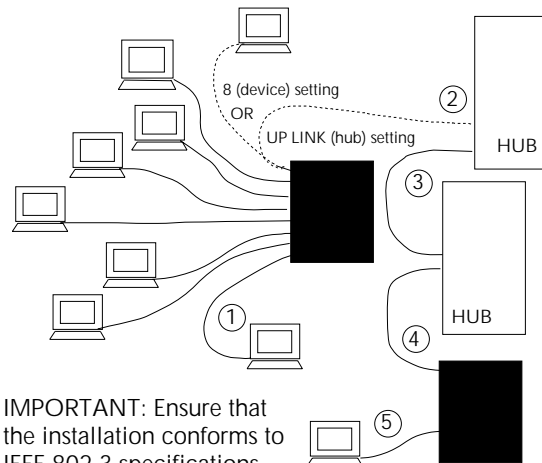
Installing Pocket Hub™-8 in Network

To install Pocket Hub™-8:

1. Locate 10BaseT cables with straight through cable and male RJ-45 connectors. (See below.)
2. Connect Port 1 through Port 7 to terminal devices.
NOTE: The uplink switch allows Port 8 to be connected to a hub without installing crossover cable.
3. Set the uplink switch to UP LINK and connect Port 8 to a hub. *OR* set the uplink switch to 8 and connect Port 8 to a terminal device.
4. Install power adapter.
5. Connect power adapter to AC power.



NOTE: The two active pairs in a 10BaseT network are pins 1 & 2 and pins 3 & 6. Use only dedicated wire pairs (such as blue/white & white/blue, orange/white & white/orange) for the active pins.



IMPORTANT: Ensure that the installation conforms to IEEE 802.3 specifications, including the 5-segment rule. The 5-segment rule states that no more than five (5) segments can be installed between any two terminal devices.
NOTE: A segment is the cable connection between terminal devices and hubs or between hubs.

Setting UP LINK Switch

Set the UP LINK switch to the 'UP LINK' setting for connecting the Pocket Hub™-8 to a hub using straight through cable.

Set the UP LINK switch to the '8' setting for connecting the Pocket Hub™-8 to a terminal device using straight through cable.

